

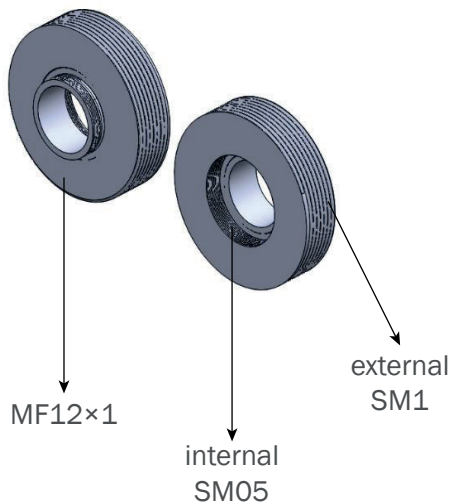
SPIDER *Accessories*

SPIDER's front port uses a MF12×1 thread – i.e., “metric fine” thread, diameter 12 mm and pitch 1 mm.

The Si photodiode is a 2.4×2.4 mm square located 14.5 mm below the front face of SPIDER's housing. The InGaAs photodiode is a 1 mm diameter circle, located 13.4 mm below the front face.

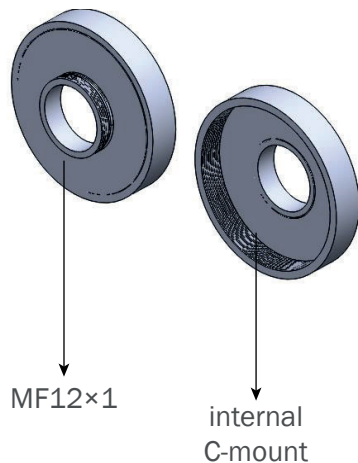
We offer a range of accessories to facilitate coupling SPIDER to various light sources:

MF-SM adaptor



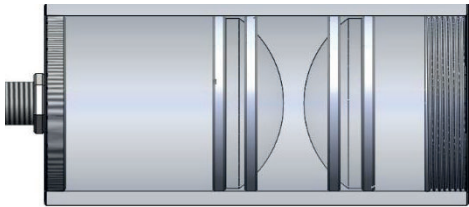
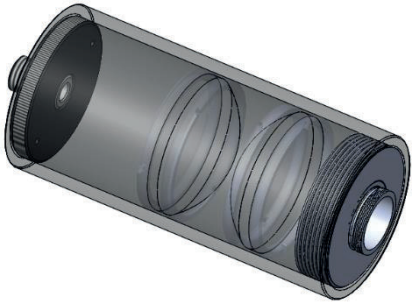
MF12×1 → SM1 (external thread) + SM05 (internal thread)

MF-C adaptor



MF12×1 → C-mount (internal thread)

FC1 coupler

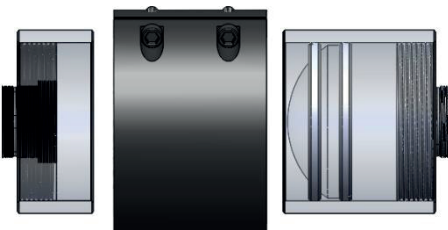


Fiber coupler, images light from an optical fiber on to the SPIDER detector.

Please specify which type of fiber connector type is required:

- SMA
- ST
- FC/PC (Narrow or Wide Key)
- FC/APC (Narrow or Wide Key)

GM1 coupler



Rigidly couples the SPIDER detector to a GEMINI interferometer.

Two subsections connect to the MF12 threads on the SPIDER and GEMINI, and are coupled with a sleeve that locks them together.

GM1 ensures the SPIDER detector is collinear with the optical axis of GEMINI, and provides ideal imaging of the interference pattern on to the detector.